

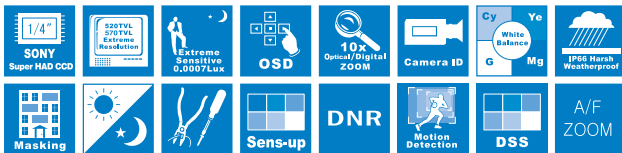


Product Information

VPD100 is a high performance Mini Speed Dome camera which reproduces an extremely clear picture and a various PTZ function.

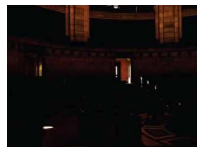
Used with Auto Focus(A/F) 10x Optical zoom, this unit can precisely adjust a focus. It reproduces a purely natural color at day and extremely low light performance up to 0.0007 Lux at night. Various Presets make the unit possible to watch out for a board area effectively.

Built-in ICR(IR Cut Filter Removable) makes the unit sensitive to IR combined surveillance for viewing a long distance at total darkness and viewable a noiseless B/W image with increased 570TVL.



Removable Motorized IR Cut Filter (ICR) Viewable at total darkness!

The image at daytime displays as True Color with IR Cut filter attached and turns to clear B/W (color signal removal) mode at night (True Day/Night). With ICR, it comes to IR sensitive that enables the camera to view the scene at total darkness.



Normal PTZ



VPD100

Special Features

- Surface/Flush mount compatible

General Features

- 1/4" Sony Super HAD CCD
- High resolution of 520TVL(Day) / 570TVL(Night)
- Extremely high sensitivity of 0.0007 Lux
- Dynamic Noise Reduction(DNR)
- Optical 10x Zoom(f3.8mm~38mm)
- Digital 2x ~ 10x Zoom
- 360° endless rotation(Max. 240 ° /sec.)
- 64 Presets & a various automatic surveillance
- 4 Privacy masking zones
- Sens-up(2x~128x)
- Intelligent & precise mechanism
- 4 Sensor Input
- RS-485 Remote control(Pelco-D/P)
- 12VDC, 24VDC/24VAC

High resolution clear image of 520TVL(D)/570TVL(N)

This unit realizes a high resolution of 520TVL using high performance CCD image sensor & DSP chip and an extremely outstanding clear vivid color image and 570TVL Noiseless B/W image.



520TVL (Day)



570TVL (Night)

Precise Optical 10x & Digital 10x zoom

This unit incorporates A/F Optical 10 times zoom so that user can capture the clear view of up to 100 times closer when the image is magnified.



Full Screen



10x

64 Presets & various automatic surveillance

Presets up to 64 points, Group surveillance and Tour set enable user to use this unit conveniently and effectively.



Quick and Easy installation

Intelligent design makes this unit installed quickly and easily.

Extremely upgraded sensitivity of 0.0007 Lux

Clearly different from conventional PTZ, this dome, with built-in Super DSP system can see the object very clear at even a starless dark night. In addition the built-in Dynamic Noise Reduction (DNR) removes noises and ghost effect to have the picture quality greatly improved. It also saves the DVR's recording capacity up to 70%.



Normal PTZ.

VPD100

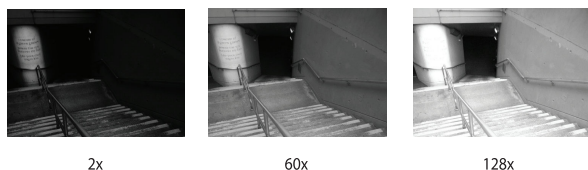
Privacy zone masking

When the unit is observing a wide area, the captured image can be masked for privacy purposes. Users can easily configure the size and position of the required privacy zones.



Sens-up function

The Sens-up function allows the camera can display the bright image even in extreme darkness.



2x

60x

128x

MODEL	VPD100
Image sensor	1/4" Sony Super HAD CCD
Effective Pixels	NTSC : 768(H) x 494(V) PAL : 752(H) x 582(V)
Scanning system	NTSC : 525Line PAL : 625Line 2 : 1 interlace d
Frequency	NTSC : 15.734KHz(H), 59.94Hz(V), PAL : 15.625KHz, 50Hz(V)
H.Resolution	520TV Line(Color) / 570 TV Line(B/W)
Video output	VBVS : 1.0Vp-p, 75 Ω composite
Min. illumination	0.0007Lux / F1.8 (Sens-up)
Day & Night	Color / BW / AUTO (ICR)
Gain Control	Low / Middle / High / Off
White Balance	AWC / Manual / ATW (1,800° K~10,500 °K)
Shutter Speed	Auto / Manual (NTSC : 1/60~1/120,000sec. PAL : 1/50~120,000sec.)
Sens-up	On / Off (2x ~128x)
OSD	Built-in
Motion detection	On / Off (Built-in alarm output terminal)
Protocol	RS-485 interface(PELCO-D,P)
DNR	Low / Middle / High / Off
Zoom ratio	10x, f3.8~38mm
Angle of view	Horizontal : 51.2 ° (Wide) / 5.58 ° (Tele) Vertical : 39.3 ° (Wide) / 4.27 ° (Tele)
Digital zoom	Built-in (x2, x4, x8)
Preset	64
Privacy	On / Off(4 Programmable zone)
Pan/Tilt angle	360° (240°/sec.) / 0° ~ 90° (240°/sec.)
Operating Temperature	14°F ~122°F (-10°C ~ +5 0°C)
Power source	12VDC/24VAC, 12VDC/3A
Power Consumption	6W (max.)
Measurement (mm)	179(Ø)x150(H)
Weight (Approx.g)	2,000

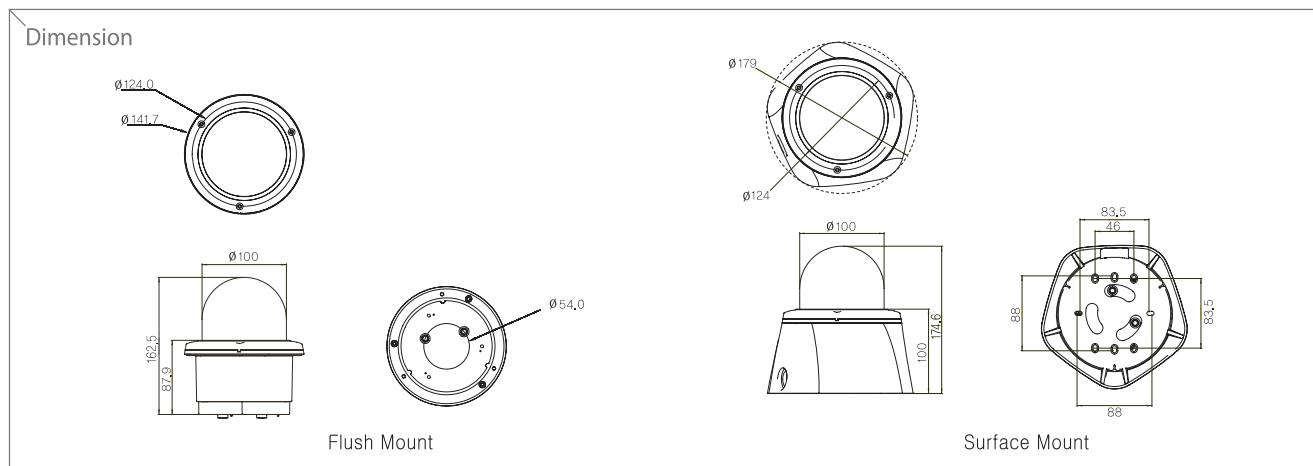
Analog Camera

DVR

IP Camera

NVR

Accessories



ACCESSORY

<p>Outdoor housing</p> <p>VPD100DC</p>	<p>Wall mount</p> <p>VHM-370PM</p>	<p>Pendant mount</p> <p>VHM-370PM</p>	<p>Corner mount</p> <p>VHM-370COR</p>	<p>Pole mount</p> <p>VHM-370PO</p>
--	------------------------------------	---------------------------------------	---------------------------------------	------------------------------------