

# VC34HQ

## Mini C/CS Box camera (Super Hi-Res)

### Product Information

The image is automatically converted from Color to B/W at 5 Lux darkness.

This function maintains the picture quality at daytime true Color and noiseless clear B/W image at nighttime enhancing the sensitivity and resolution up to 600TVL.

With a new DSP and high performance sensor, the camera offers a supreme high resolution of 560TVL at daytime in Color image and 600TVL at nighttime in B/W image.

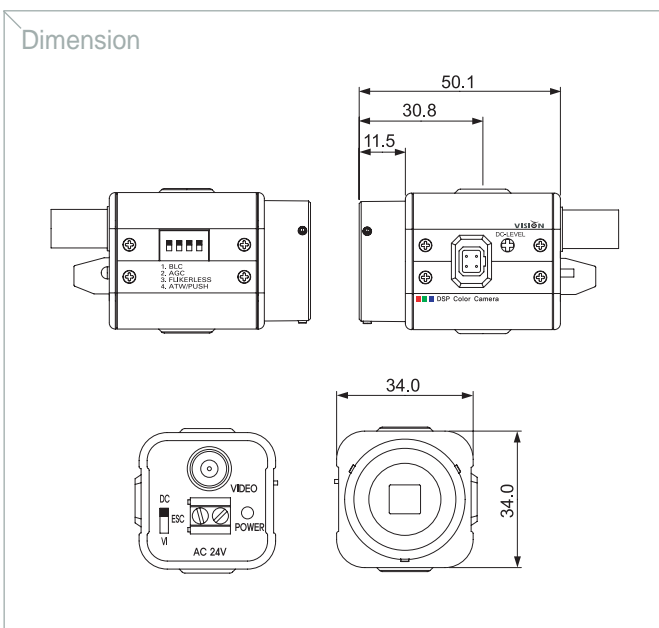
White balance control selectable by Push lock mode or ATW mode enhances the camera's image reproduction capability, suitable for all environments and in variable light circumstances.

By using a Sony Ex-view HAD sensor, the camera offers an extremely high sensitivity of up to 0.01Lux/F1.2



### Key Features

- Day & Night (Automatic conversion from Color to B/W at 5 Lux)
- Super Low Lux Sensitivity of 0.1Lux/F1.2(Super HAD)  
0.01Lux/F1.2(Ex-view HAD)
- Extremely accurate color reproduction with 10 bit data process
- Higher resolution of 560TVL(Day)/600TVL(Night)
- Built-in DIP SW (BLC On/Off, AGC Nor/Max, AWB/Push Lock, Flickerless On/Off) Function
- Surge voltage input protection built-in
- Reverse polarity power input protection built-in
- 12VDC



MODEL	VC34HQ-12/VC34HQX-12
Power source	DC12V
Image sensor	1/3" SONY Super HAD/Ex-view HAD CCD
Effective Pixels	NTSC :768(H)X494(V) PAL :752(H)X582(V)
H.Resolution	560 TV Lines ( Day ) / 600 TV Lines ( Night)
Sync. system	Internal
Scanning system	NTSC 525 Lines PAL 625 Lines 2:1 Interlaced
Video output	1.0Vp-p Composite. 75 Ohms
S/N ratio	More than 50 dB (AGC Off)
Min. Illumination	0.1 Lux at F1.2 (Super HAD), 0.01 Lux at F1.2(Ex-view HAD)
White balance	ATW/AWC/Manual selectable(1800°K~10,500°K)
BLC	On/Off
AGC	On/Off
Flickerless	On/Off
Shutter speed	NTSC : 1/60 - 1/100,000 sec PAL : 1/50 - 1/100,000 sec
Operation current	130mA
Lens mount	C-Mount (17.5mm Frange back) ~ CS-Mount (12.5mm Frange back) & Fine focus ±æ 1.0mm
Iris Control	Video Iris/DC Iris
Operating Temp.	14° F~122° F ( -10° C ~ +50° C )
Humidity	Within 90% RH
Measurement(mm)	34(W) x 34(V) x 50(L)
Weight(Approx.g)	200