

Product Information

VN80DZ-10 is an Auto Focus Zoom lens built-in day/night camera specially designed for the professional Day/Night surveillance.

With the built-in 10x(f3.8~38mm) optical zoom lens and Digital 10x zoom function, the camera provides 100 times of zoom capability.

The unit possesses a super bright sensitivity of 0.0007 Lux at color mode and a ICR built-in Day/Night mechanism , At daytime, the camera features a 500TVL Color image and at nighttime, the image is converted into real B/W mode (Color signal removed) resulting in the resolution and sensitivity greatly enhanced.

The camera incorporates an Intelligent CDS control technology that mechanical day/night filter accurately switched on and Off with the image changed between Color and B/W at 5 lux outdoor darkness.



Key Features

- Digital Zoom Camera (Optical 10x plus Digital 10x)
- High performance 1/4" Sony Super HAD CCD
- High resolution of 500 TVL at Day / 570 TVL at Night
- Greatly enhanced Sensitivity of 0.0007 Lux at F1.8
- IR Sensitive mechanical Day/Night filter system built-in (ICR)
- True Color at Day and Real B/W at Night conversion
- Accurate Day/Night perception
- RS-485 remote control (Pelco-D)
- IP67 Weatherproof
- Installation with existing telephone cable up to 100M long.
- Easy to use OSD menu control
- Motion detection.
- Camera ID
- Sens-up (2x ~ 128x)
- Dynamic Noise Reduction (DNR)
- Privacy masking

Removable Motorized IR Cut Filter (ICR) Viewable at total darkness !

The image at daytime displays as True Color with IR Cut filter attached and turns to clear B/W (color signal removal) mode at night (True Day/Night). With ICR, it comes to IR sensitive that enables the camera to view the scene at total darkness.



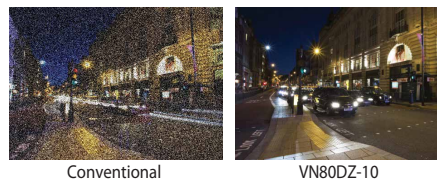
Precise Optical 10x & Digital 10x zoom

This unit incorporates A/F Optical 10 times zoom so that user can capture the clear view of up to 100 times closer when the image is magnified.



Precise Optical 10x & Digital 10x zoom

This unit with built-in super DSP system can see the object very clear at even a starless dark night. In addition the built-in Dynamic Noise Reduction (DNR) removes noises and ghost effect to have the picture quality greatly improved. It also saves the DVR's recording capacity up to 70%.



Privacy zone masking

When the unit is observing a wide area, the captured image can be masked for privacy purposes. Users can easily configure the size and position of the required privacy zones.



Sens-up function

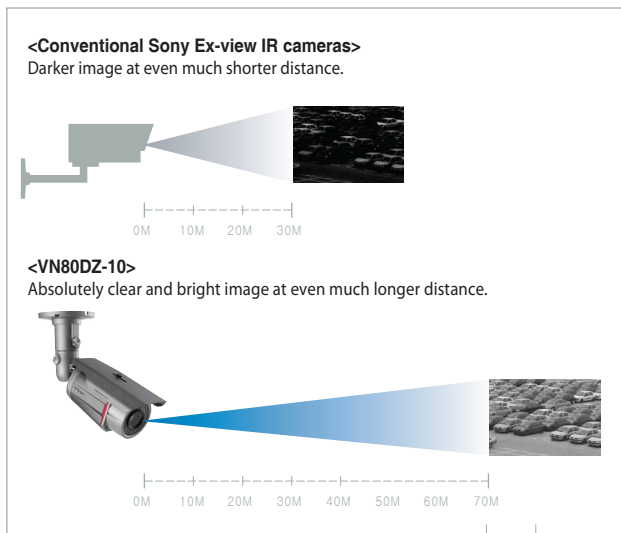
The Sens-up function allows the camera can display the bright image even in extreme darkness.



VN80DZ-10 | 10x ZOOM Super Night Vision Outdoor Camera

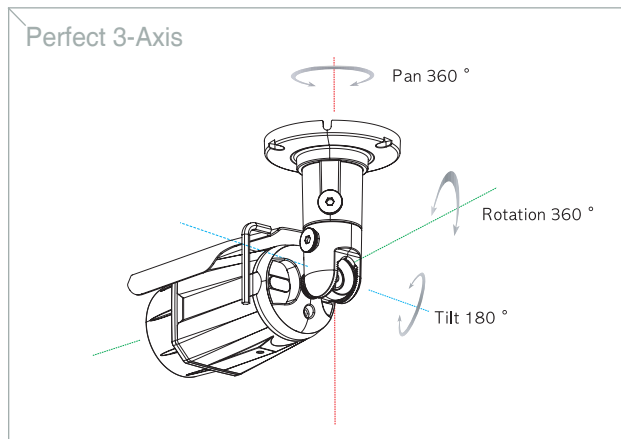
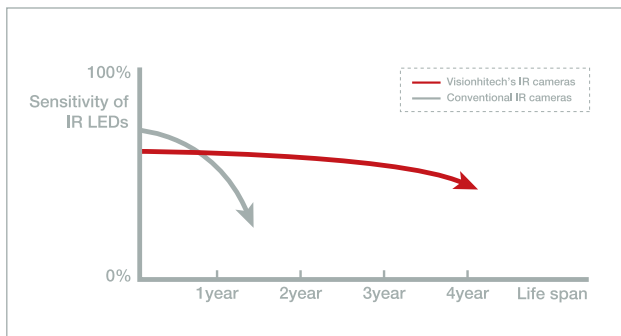
Powerful night sensitivity

This new night vision camera includes high impact infra-red LEDs as a standard capturing a clear and very bright image at pitch black "0" Lux darkness for up to 70 meter long distance.



Extended IR LEDs' life cycle and the sensitivity

The VN80DZ-10 adapts the Visionhitech's special IR life protection technology that extends the life cycle of IR LEDs at its maximum period of life span. Conventional IR cameras tend to produce a bright IR image at the beginning but the LED's performance is reduced day by day and final burned to dead in short time period after the installation. Consequently the night vision performance of conventional cameras is seriously reduced within after several months of operation.



MODEL	VN80DZ-10
Image sensor	1/4" Sony Super HAD CCD
Effective Pixels	NTSC : 768 (H) x 494 (V) PAL : 752 (H) x 582 (V)
H.Resolution	500 TV Lines (Day) / 570 TV Lines (Night)
Synchronizing system	Internal / Line Lock
Scanning system	NTSC : 525 Lines PAL : 625 Lines 2:1 Interlaced
Video output	1.0 Vp-p Composit e. 75 Ohms
S/N ratio	50 dB (AGC Off)
Min. illumination	0.0007 Lux at F1.8 (Sens-up)

OSD Menu	
OSD Menu	RS-485 (Controllable by DVR or controller)
Digital Zoom	On / Off (2x ~10x)
Day & Night	Color / B/W / Auto (ICR)
Back Light Compensation	Low / Middle / High / Off
Shutter Speed	Auto / Manual (NTSC : 1/ 60 ~ 1/ 120,000 sec.) (PAL : 1/ 50 ~ 1/ 120,000 sec.)
White Balance	ATW (Indoor : 3,000° K~10,50 0°K, Outdoor : 1,800° K~10,500° K) / AWC / Manual
Gain Control	Low / Middle / High / Off
Sens-up	Auto (2x~128x) / Off
DNR	Low / Middle / High / Off
Communication	RS-485 (Pelco-D)

POWER	
Power source	24VDC / 24VAC(Dual Power)
Operating current	DC : 140mA(IR "Off" at Day)/450mA(IR "On" at Night) AC : 130mA(IR "Off" at Day)/380mA(IR "On" at Night)

LENS	
Lens	Auto Focus Digital zooms
Zoom ratio	10x, f3.8 ~38mm (F1.8)
Min. focus distance	1.5M
Angle of view Lens initialization	Horizontal : Approx 52.2 ° (Wide) to 5.58° (Tele) Vertical: Approx 39.3 ° (Wide) to 4.27° (Tele)
Digital Zoom	On / Off (2x~10x)

Operating	
Operating Temperature	14° F ~ 122 ° F (-10°C ~ +5 0°C)
Humidity	Within 90% RH
Weatherproof rating	IP67
Measurement (mm)	120 (W) x 172 (V) x 294.3 (L)
Weight (Approx.g)	3,000
Connection	Cable concealed thru Bracket

IR Function	
IR LE D	10°(5Ø) x 32ea, 40°(5Ø) x 12ea
Viewable distance	Up to 70M at moonless night
MTBF of IR	20,000 Hours

