

# VD70HQ Mini Armor Dome camera

## Product Information

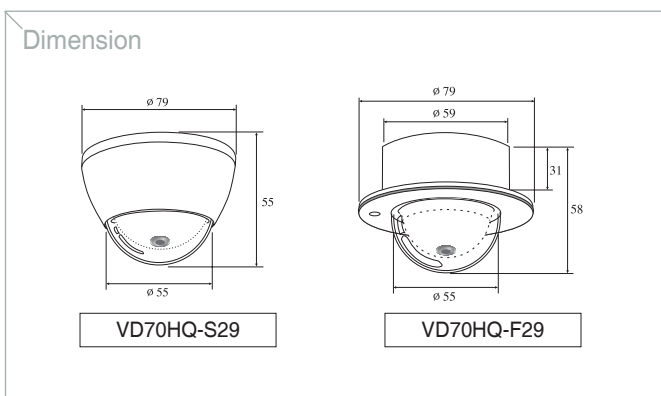
Producing a true natural coloration which is close to the performance of human eye adds its value to maximum. It is our own unique technology enabling a normal CCD camera to provide an extremely clear vision. With the help of this function, cameras also perform a greater resolution and better low light sensitivity. The crystal clear Dome window is made of polycarbonate to protect the camera from even a violent attack on it. When the cover is scratched, no need to change the camera but can change the cover easily.

It looks so elegant as much as the camera quality stands for. The unique face aims to best fit to the environment decorative to any place. It lasts its beautiful shape long time with scratch-free coating. Easy to adjust the metal ball shaped inner camera, easy to change the lens, easy to position the camera, easy to fix the direction of the window, easy to assemble and disassemble the dome, easy to work for the cable connection and strong finish after installation are all about the dome provided by the scientific mechanism of the design.



## Key Features

- Covert micro size Dome
- Anti-vandal enclosure and dome cover
- 1/3" High resolution Sony Super HAD CCD II
- 560 TVL Horizontal Resolution
- Remarkable low Lux performance of 0.1 Lux/F2.0
- Attractive Design
- 12VDC
- 24VAC available(option)



MODEL	VD70HQ-S29W / S29B / F29S / F29B
Image sensor	1/3" Sony Super HAD CCD II
Effective Pixels	NTSC : 768(H) x 494(V) PAL : 752(H) x 582(V)
H.Resolution	560 TV Lines
Synchronizing system	Internal
Scanning system	NTSC : 525 Lines PAL : 625 Lines 2:1 Interlaced
Video output	1.0Vp-p Composite. 75 Ohms
S/N ratio	More than 50 dB (AGC Off)
Min. illumination	0.1 Lux at F2.0
BLC	Automatic
White balance	2,100°K ~ 9,100°K Auto
Gain Control	4dB ~ 32dB Auto
Gamma correction	$\gamma = 0.45$
Smear effect	0.005%
Shutter speed	NTSC : 1/60 ~ 1/100,000 sec. PAL : 1/50 ~ 1/100,000 sec.
MTBF	80,000 hours
Power source	12VDC
Operation current	130mA w / regulated 12VDC power in
Lens Standard	2.9mm (120°)
Option	3.6mm (92°), 4.3mm (78°), 6.0 mm (54°)
Operating Temperature	14°F ~ 122° F (-10° C ~ +5 0°C)
Humidity	Within 90% RH
Output Terminal	4 Feet DIY cable with
Cable connection	BNC-Female for Video, DC Jack-Male for Power
Measurement (mm)	Surface Mount : 79(Ø) x 55(H) Flush Mount : 79(Ø) x 58(H)
Weight(Approx.g)	300
Optional feature 1	IR Sensitive for Day & Night vision
Optional feature 2	External Audio with C-Microphone - 35dB / mV