

### Product Information

This unit provides an efficient way of mechanical adjustment of the camera angle that can be freely positioned to all angles from ceiling, wall or slope mounting.

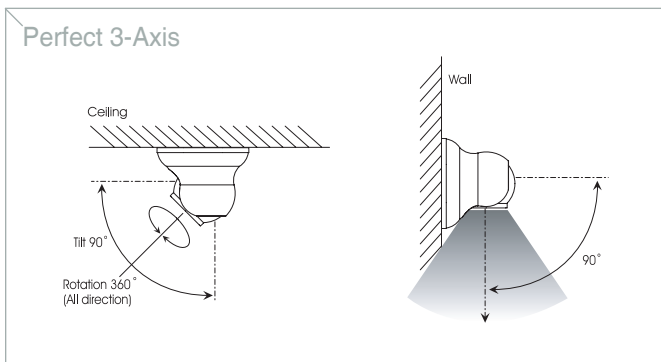
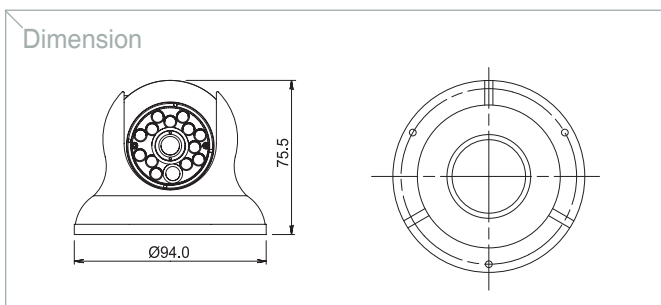
Especially, noticeable points are the vertical angle that can be tilt down to 90 degree and the Rotation adjustment that can correct the image to be upright condition when the dome camera is installed on the wall or on the slope.

This camera offers an extremely high resolution of 500TVL at daytime in Color image and 560TVL at nighttime in B/W image. The image is automatically converted from Color to B/W at 5 Lux darkness. This function maintains the picture quality at daytime true Color and noiseless clear B/W image at nighttime, enhancing the sensitivity and resolution up to 560TVL. By using a Sony Super HAD CCD II, the camera offers an excellent sensitivity of 0.1 lux/F2.0(0.1Lux BW) w/o IR on and "0" lux with IR on.



### Key Features

- Covert compact size Night View dome
- 1/3" High resolution Sony Super HAD CCD II
- Extremely true Color image reproduction technology
- 500 TVL Horizontal Resolution
- Remarkable low Lux performance of 0.1 Lux/F2.0 w/o IR LED
- Weatherproof Indoor or Outdoor installation (IP66)
- 3 fixed Lens options
- Attractive Design complement decor
- Easy Install mechanism
- Power Surge protection
- Reverse polarity power input protection
- 12VDC
- 24VAC available(option)



MODEL	VD70CSHR-36IR
Image sensor	1/3 Sony Super HAD CCD II
Effective Pixels	NTSC : 768(H)X494(V) PAL : 752(H)X582(V)
H.Resolution	500TVL(Day) / 560TVL(Night)
Synchronizing system	Internal
Scanning system	NTSC : 525 Lines PAL : 625 Lines 2:1 Interlaced
Video output	1.0Vp-p Composite. 75 Ohms
S/N ratio	More than 50 dB (AGC Off)
Min. Illumination	0.1 Lux at F2.0
BLC	Automatic
White balance	2,100°K ~ 9,100°K Auto
Gain Control	4dB~32dB Auto
Gamma correction	$\gamma = 0.45$
Smear effect	0.005%
Shutter speed	NTSC : 1/60 ~ 1/100,000 sec. PAL : 1/50 ~ 1/100,000 sec.
LED Spectrum	850nm IR LED x 14ea
IR beam Distance	15M
MTBF	20,000 hours
Power source	12VDC
Operation current	200mA w / regulated 12VDC power in
Lens Standard	3.6mm (92°)
Option	4.3mm, 6mm, 8mm
Operating Temperature	14°F~122°F (-10° C ~ +75. 5°C)
Humidity	Within 90% RH
Output Terminal	4 Feet DIY cable with
Cable connection	BNC-Female for Video, DC Jack-Male for Power
Measurement (mm)	94(Ø) x 75.5(H)
Weight(Approx.g)	650
Optional feature	External Audio with C-Microphone - 35dB / mV